



## BASIC SERIES

- 110Nm torque output makes the Series 110 perfect for larger size ball valves and butterfly valves.
- Introduces 'Wiring Box' and removes pre wired cable.
- Multi Voltage 24VAC/DC or 95-265VAC voltage range, reducing stock required to be held to cover possible on site voltages.
- Fast Acting option of 6 second version available. Standard run time is around 10-12 seconds.
- Available with internal super capacitor fitted for Failsafe functionality.
- 2 x M14 Conduit Entry

Version 001: 3/10/22 subject to change without notice

Technical Specifications			
Rated Torque Nm (in.lbs):	140Nm Break (1240) / Run 110Nm (974)	Enclosure:	PC+ PET Plastic Housing ** IP67/Nema 4X
ISO 5211:	F05/07 x 17mm Output Drive	LED Status Light:	Yes, RGB Open, Close, Alarm.
Voltage Range:	24VAC/DC, 95-265VAC, 12VDC	Run Time no load:	10-12 seconds
Connecting Cable:	2 x M14 Conduit Wiring Box	Weight:	2.2Kg (plastic) 3Kg (aluminium)
Working Angle Range:	0-270 degrees. Set via internal cams.	Temperature Range:	-20 > +80C ***
Duty Cycle:	75% rated	Shock Resistance:	<300m/S2
Sound Power Level:	Max50dB(A)	Vibration Rating:	10 to 55Hz, 1.5mm double amplitude
Position Indicator:	Mechanical Dome Window. As above	Installation :	Vertical/Horizontal - not underslung
Withstand Voltage:	500VAC for 1 minute	Maintenance:	Maintenance Free - do not remove cover
Insulation Resistance:	100MΩ/ 500VDC	Approvals:	TUV CE & EMC Certified, REACH, RoHS****
Explosion Proof:	No, not to be used in a hazardous location. Can only be used in safe area applications.		

\* Series 110 doesn't have pre wired cable. Customer to supply and fit own cable as required. However, we can supply prewired, speak to your sales representative.

\*\* PC+PET plastic cover as standard. Aluminium cover also available.

\*\*\* Note that we can extend the lower temperature range through special lubricant and grease and upgraded heater system. Speak to your sales representative.

\*\*\*\* AVA has began the process to have all of our electric actuators approved for UL and CSA

Main Ordering Codes for Basic Series: \*indicates standard options for stock product

Example : B1145-PHB-17

Series >	Function >	Voltage >	Housing >	Heater >	Wiring >	Output Drive >							
B	Basic	110	On Off	5	95-265VAC*	P	PC+PET*	H	Included*	A	3 wire SPST	17	17mm*
		114	Failsafe	6	24VAC/DC*	A	Aluminium	0	Without	B	3 wire SPDT*		
		119	Hi Speed	7	12VDC					G	2 wire		

Please note we no longer offer single voltage other than 12VDC for Series 110. Actuators are either 24VAC/DC or 95-265VAC.



SCAN ME

New feature, we are adding a QR label to all of our products that will enable users of our product to have quicker and more direct access to support documents via our new purpose built QR website. Simply scan the QR code using your Smart phone camera and you will be taken directly to the specific actuator you have on site and will have access to Technical Datasheets, Firmware guides and product support videos.

English version. Available in Spanish




Join the **orange** and grey revolution

### SMART SERIES

- Introduces OLED screen with colour display, providing the user with visual display of actuator status including any Alert conditions that might occur.
- SmartMenu provides onboard Firmware and enables user to change certain parameters in the actuator including speed, angle, accuracy.
- Local Control as standard allows the user to operate the actuator open > close via the touch buttons.
- Increased functionality including Modulating, Failsafe Modulating, Modulating Hi Speed, Modbus RS485/RTU, Multi Turn and Timer series.



Version 001: 3/10/22 subject to change without notice

Technical Specifications:			
Rated Torque:	140Nm Break (1240) / Run 110Nm (974)	Alarm Relay:	Yes, option for fault alarm output
ISO 5211:	F05/07 x 17mm Output Drive	LED Status Light:	Yes, RGB Open, Close, Alarm.
Voltage Range:	24VAC/DC, 95-265VAC, 12VDC	Run Time no load:	10-12 seconds
Connecting Cable:	2 x M14 Conduit Wiring Box	3 Position Function:	Yes, setup via SmartMenu firmware
Working Angle Range:	0-270 degrees. Set via digital encoder. Working angle can be digitally set via SmartMenu firmware.		
Duty Cycle:	75% rated - 100% rated for Modulating	Brushless Motor:	Yes, DC brushless motor
Sound Power Level:	Max50dB(A)	Modulating Control:	Pre set at factory where applicable.
Position Indicator:	Mechanical connected to digital encoder sensor for accurate position sensing.		
Local Control:	Yes via SmartMenu using touch buttons	Reverse Acting:	Yes, set via SmartMenu
Speed Control:	PWM or PULSE speed control via SmartMenu	Fail to 3rd Position:	Yes, set via SmartMenu
Explosion Proof:	No, not to be used in a hazardous location. Can only be used in safe area applications. 		

\*\* See previous page for details on options available on pre wired cable lengths, temperature rating, cover and upcoming approvals.

**Main Ordering Codes for Smart Series:** \*indicates standard options for stock product Example : S11019-6PHE-17

Series >	Function >	Voltage >	Housing >	Heater >	Wiring >	Output Drive >							
S110	Smart	10	On Off	4	24VDC	P	*PC+PET	H	*Included	E	*3 wire SPDT	17	17mm*
	14	Failsafe	5	95-265VAC	A	Aluminium	0	Without	P	4-20mA			
	19	Hi Speed	6	24VAC/DC					U	0-10V		Alarm Relay >	
	25	Modulating	7	12VDC					V	2-10V	A	Alarm	
	26	Modulating Failsafe							W	RS485 Modbus			
	29	Modulating Hi Speed											
	31	Modbus On Off											
	34	Modbus Failsafe											
	35	Modbus Modulating											



Failsafe via internal super capacitor if you have selected Failsafe version. Capacitor is charged whilst power applied. When power is removed capacitor will close/open actuator.

# POWER & WIRING

All you need to know for sizing the correct power supply for the actuators you are installing including the power requirements when the actuator is running and what we would call Peak or maximum power requirements.

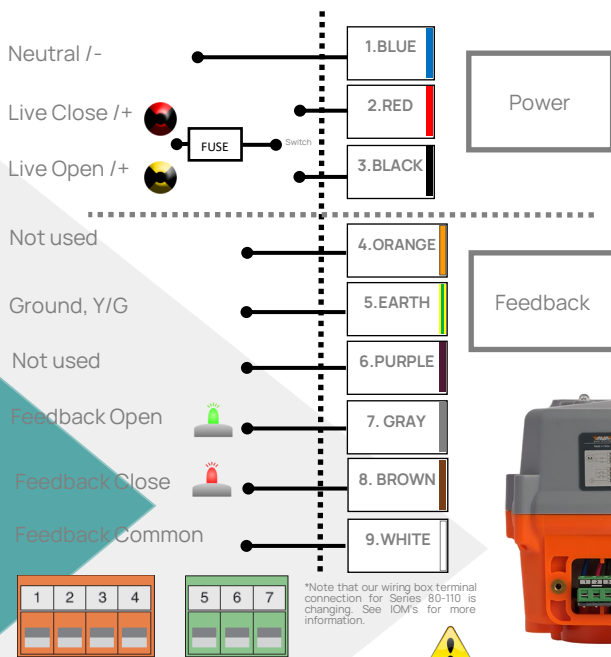


Version 001: 3/10/22 subject to change without notice

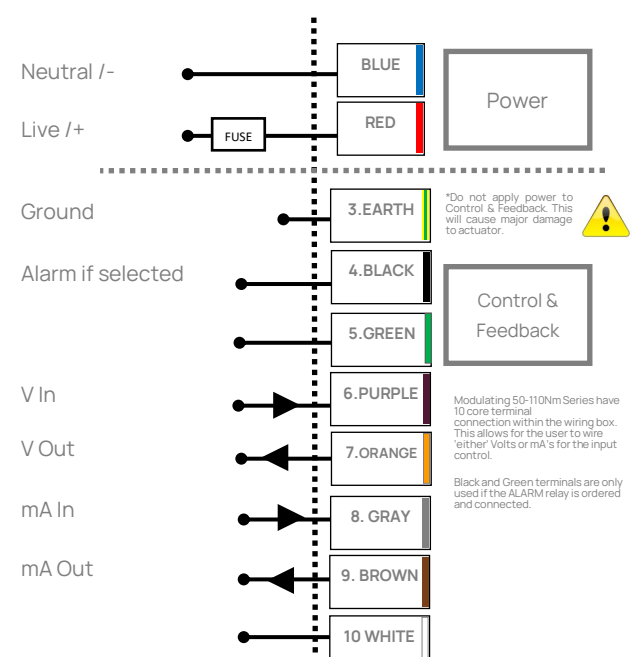
Power Ratings for most common series: including run torque and peak current for sizing power supply (\* Failsafe Models have torque of 90Nm)

Code	Voltage	Power	Time	Fuse	Peak	Code	Voltage	Power	Time	Fuse	Peak
B1105-PHB-11	95-265VAC	100W	10s	10A	3A	S11025-5PHP/U-11	95-265VAC	100W	10s	10A	3A
B1106-PHB-11	24VAC/DC	100W	10s	10A	3A	S11025-6PHP/U-11	24VAC/DC	100W	10s	10A	3A
B1145-PHB-11*	95-265VAC	100W	10s	10A	6A	S11026-5PHP/U-11*	95-265VAC	100W	10s	10A	6A
B1146-PHB-11*	24VAC/DC	100W	10s	10A	6A	S11026-6PHP/U-11*	24VAC/DC	100W	10s	10A	6A
B1195-PHB-11	95-265VAC	100W	10s	10A	6A	S11029-5PHP/U-11	95-265VAC	100W	6s	10A	6A
B1194-PHB-11	24VDC	100W	6s	10A	6A	S11029-4PHP/U-11	24VDC	100W	6s	10A	6A
S11010-5PHE-11	95-265VAC	100W	10S	10A	3A	S11031-5PHW-11	95-265VAC	100W	10s	10A	3A
S11010-6PHE-11	24VAC/DC	100W	10s	10A	3A	S11031-6PHW-11	24VAC/DC	100W	10s	10A	3A
S11014-5PHE-11*	95-265VAC	100W	10s	10A	6A	S11034-5PHW-11*	95-265VAC	100W	10s	10A	6A
S11014-6PHE-11*	24VAC/DC	100W	10s	10A	6A	S11034-6PHW-11*	24VAC/DC	100W	10s	10A	6A
S11019-5PHE-11	95-265VAC	100W	6s	10A	6A	S11035-5PHW-11	95-265VAC	100W	10s	10A	6A
S11019-4PHE-11	24VDC	100W	6s	10A	6A	S11035-6PHW-11	24VDC	100W	10s	10A	6A

### Standard On Off, Failsafe and Hi-Speed Open/Close Wiring: Additional wiring options available online.



### Standard Modulating including Failsafe and Hi-Speed Wiring: Additional wiring options available online.

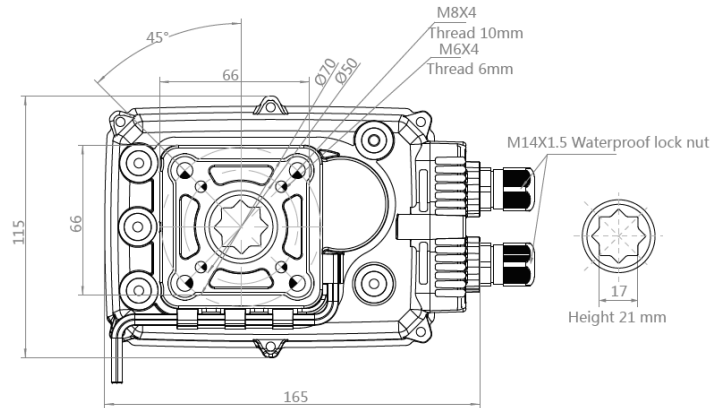
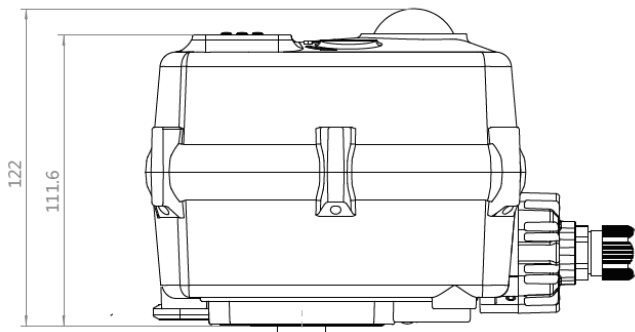
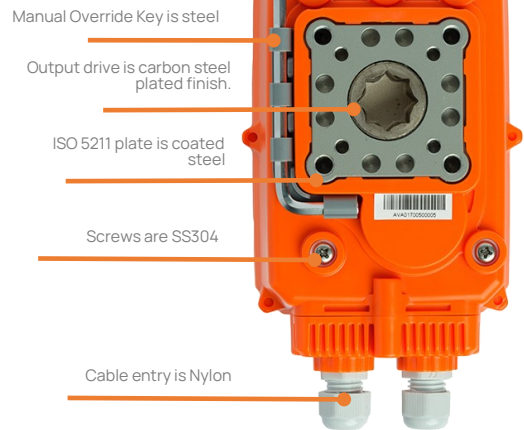
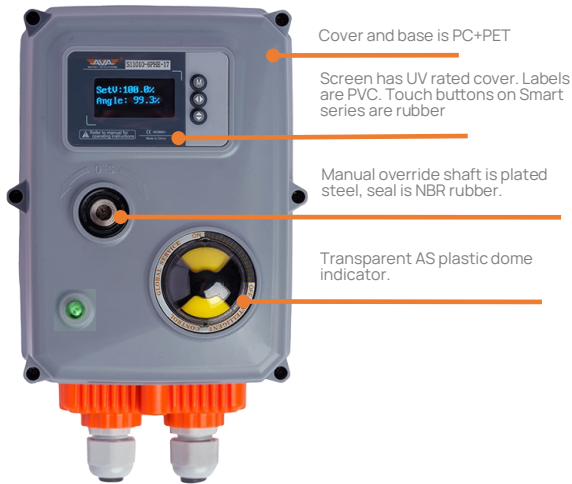


Our complete range covers **10-400Nm**

# MATERIALS & DIMENSIONS

Below are the materials of construction, including any options available for this specific series. Dimensional drawing can also be found below detailing key dimension details including ISO 5211 mounting details.

Version 001: 3/10/22 subject to change without notice



\* Note that the Basic and Smart series are the same physical size.



We are able to supply our actuators with a prewired cable with IP67/68 weatherproof rated plug and play connector. We can supply both male and female connectors with a pre determined cable length required. We are able to terminate the cable for your PLC as required, loose for you to terminate or with a panel mount connector for example. Options include screw terminal and welded (soldered) connection.

To access our website for additional support documents, contact information and latest news, simply scan the QR code. You can find our list of official distributors at our website.



Scan me